

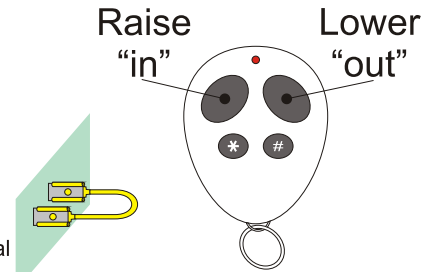
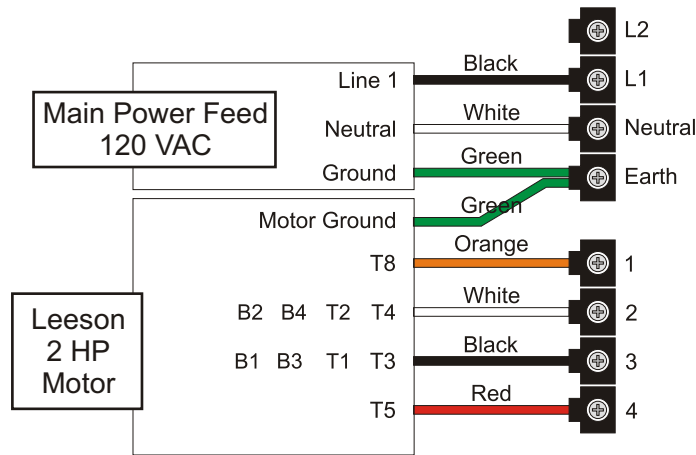


It's the Good Life...

Aqua-Matic Remote Control Wiring

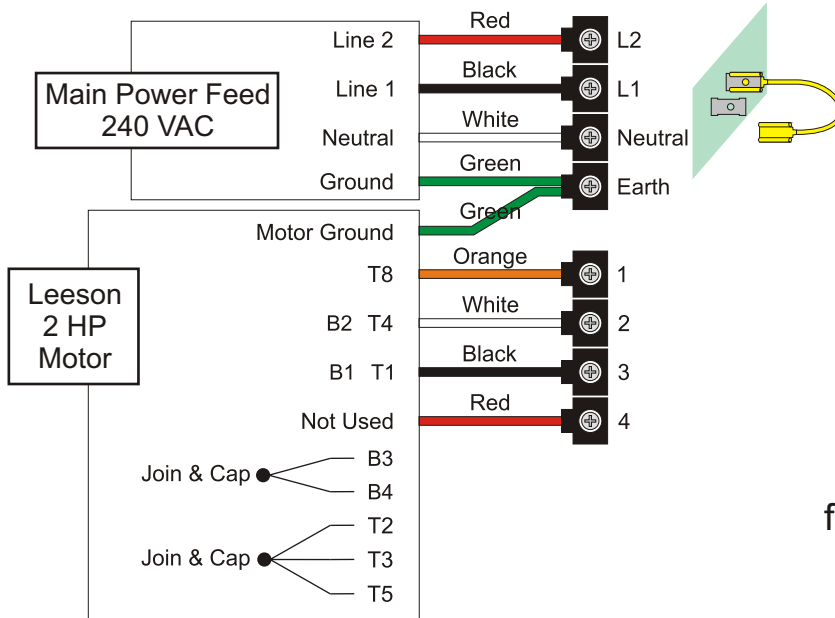
Blue 2 HP #112136

120 volt

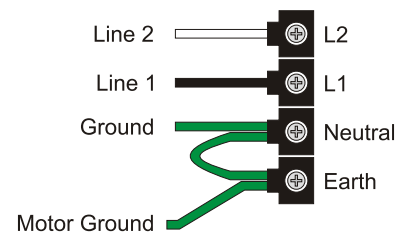


The drum switch must be removed from the motor before installing the remote control. Please save the drum switch and wiring instructions. In case of a remote failure, the drum switch can be re-installed and the system can be operated manually.

240 volt



Alternate 240 VAC Wiring (3-wire)



Important:
Yellow jumper wire **MUST** be unplugged for **ALL 240 volt** applications!!!