

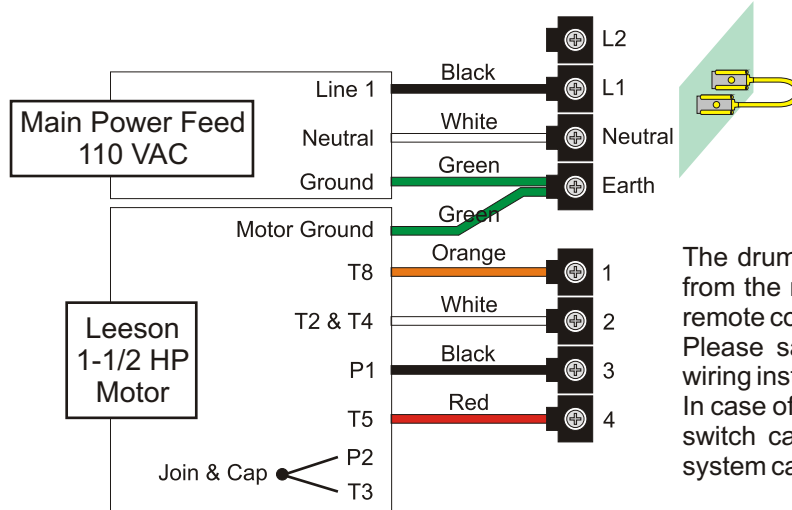


*It's the Good Life...*

## Aqua-Matic Remote Control Wiring

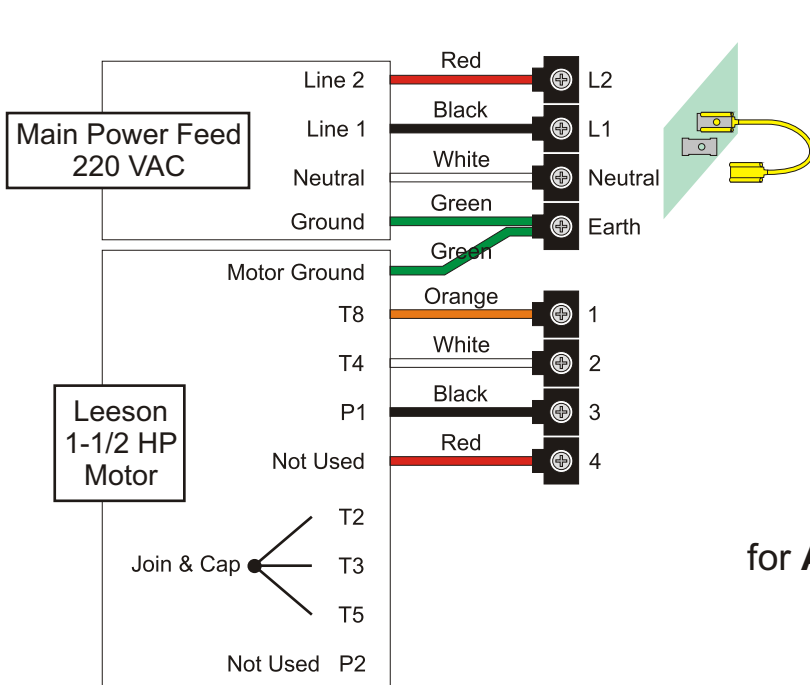
Red 1-1/2 HP # 110495

### 120 volt

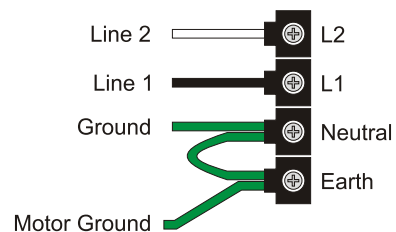


The drum switch must be removed from the motor before installing the remote control. Please save the drum switch and wiring instructions. In case of a remote failure, the drum switch can be re-installed and the system can be operated manually.

### 240 volt



Alternate 220 VAC Wiring (3-wire)



***Important:***  
 Yellow jumper wire  
**MUST** be unplugged  
 for **ALL 240 volt** applications!!!